

Wooden Blind Angled-Bay Measuring Guide

1

Find your blind type in the table on the right and note the matching depth. Measure in millimetres how far out from the window any vents or handles protrude. Add together these two numbers and make a note. This is the measurement you will use in the next step.

You will need:

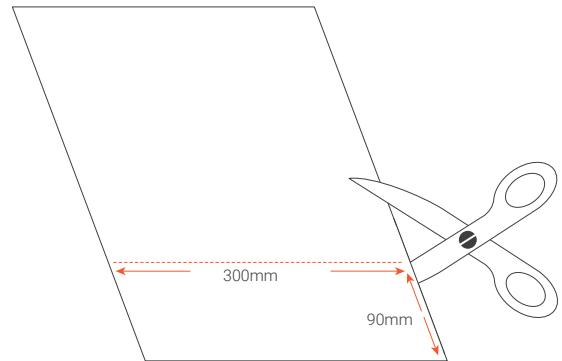
- Metal Tape Measure
- Pencil
- Paper
- Scissors

Blind Type	Depth (mm)
25 & 27mm Slat Wooden Blind	60mm
35mm Slat Wooden Blind	60mm
50mm Slat Wooden Blind	80mm
64mm Slat Wooden Blind	80mm

2

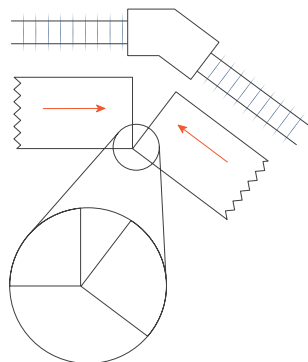
Cut two pieces of paper into strips that are 300mm long and as wide as your previous measurement. These two pieces of paper will be used to work out how your blinds will meet each other at the corners.

For example, if you want 35mm slats and also need to account for a 30mm protruding handle you would use a depth of 90mm (60mm + 30mm).



3

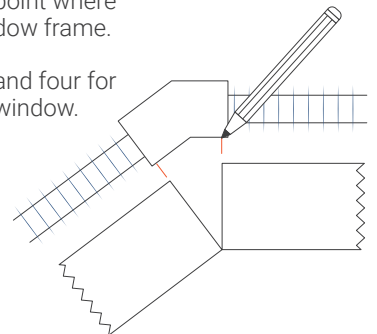
Place these two papers individually on the windowsills either side of one of your bay windows' corners, making sure the edge of the paper is against the window frame. Slide the two pieces of paper towards each other along the windowsills until the two corners of the papers meet up.



4

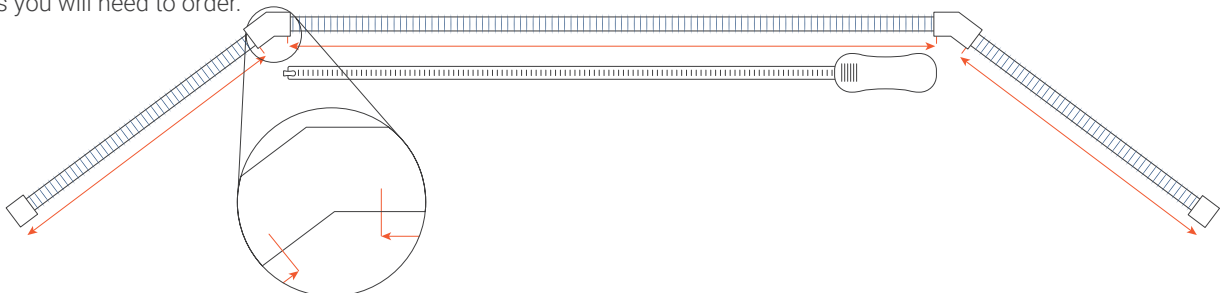
Using a pencil, make a small mark on the windowsill at the point where the paper meets the window frame.

Repeat steps two, three and four for each corner of your bay window.



5

Measure between each set of marks you have made and write the measurements down. These are the widths of the blinds you will need to order.



6

To establish your drop, measure from where the top of the blind will sit, down to where you want the blind to stop (normally the windowsill). With the measurements for the widths and the drops of your blinds, all you need to do now is enter them into our site and order them with an 'Exact' measurement type.